



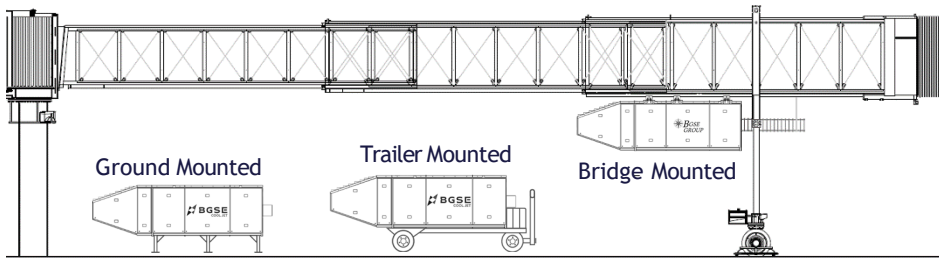
Point-of-Use (PoU) PCAir - 60Hz Air Cooled, Direct Expansion

Top Performing Heating and Cooling Built to Last.

IMPROVE YOUR AIR.

- ▶ Built with the quality to last decades
- ▶ Cooling and heating performance exceeding aircraft requirements
- ▶ Customer-focused features and options, like special air filtration and minimized defrost cycles

Email: sales@bgsegroup.com
Web: www.bgsegroup.com



Components by Model

	BGAC030	BGAC045	BGAC060	BGAC90	BGAC120
1 Blower					
2 TEFC Blower Motor	20-HP	30-HP	50-HP	60-HP	80-HP
3 Blower Motor VFD					
4 Electrical Box	✓	✓	✓	✓	✓
5 Main Air Outlet	✓	✓	✓	✓	✓
6 Optional PBB Cool Outlet	✓	✓	✓	✓	✓
7 Optional 2nd Air Outlet			✓	✓	✓
8 Stage 1 Cooling Coil	15-ton	15-ton	30-ton	30-ton	60-ton
9 Stage 1 Compressor					
10 Condensator Fan					
11 Stage 2 Cooling Coil	15-ton	15-ton	15-ton	30-ton	30-ton
12 Stage 2 Compressor					
13 Condensator Fan					
14 Stage 3 Cooling Coil	15-ton	15-ton	30-ton	30-ton	30-ton
15 Stage 3 Compressor					

ADVANCED HMI

- ▶ Auto airplane detection with VDS interface
- ▶ Airplane model selection
- ▶ Touchscreen and auxiliary bezel buttons for gloved hands





Point-of-Use (PoU) PCAir

Air Cooled, Direct Expansion

Design Ambient:	95°F (35.0°C) dry bulb 78.0°F (25.6°C) wet bulb		Ambient Limits: -40°F (-40°C) to +125°F (+51.7°C) 0%-100% RH		
Model Number/Weight	BGAC030A / 30-ton	BGAC045A / 45-ton	BGAC060A / 60-ton	BGAC090A / 90-ton	BGAC120A / 120-ton
Electrical (V / Ph / Hz)	480 V / 3 P / 60Hz				
Cooling FLA / MCA	88 A / 95 A	135 A / 143 A	179 A / 189 A	257 A / 273 A	335 A / 356 A
Cooling ROP / MOP	100 A / 125 A	150 A / 175 A	200 A / 225 A	300 A / 350 A	400 A / 450 A
Standard Heater	36 kW	54 kW	54 kW	60 kW	90 kW
Large Heater - MCA ROP / MOP per NEC 440.33	54 kW - 107A 100 kW - 193 A	100 kW - 193 A 200 A / 200 A	100 kW - 205 A 225 A / 225 A	120 kW - 264 A 300 A / 350 A	144 kW - 326 A 400 A / 450 A
	ROP = Recommended Overcurrent Protection device based on soft-start blower. MOP = largest overcurrent protection device allowed.				
Blower	20 BHP, Centrifugal	30 BHP, Centrifugal	40 BHP, Centrifugal	60 BHP, Centrifugal	80 BHP, Centrifugal
Mass Airflow (Variable)	180 ppm @ 24 "WG	284 ppm @ 28 "WG	340 ppm @ 30 "WG	480 ppm @ 36 "WG	588 ppm @ 42 "WG
Mass Airflow (Variable) Volumetric Airflow	1.36 kg/s @ 6.1 kPa 2,430 CFM (4126 m³/h)	2.15 kg/s @ 7.1 kPa 3,830 CFM (6510 m³/h)	2.57 kg/s @ 7.6 kPa 4,590 CFM (7790 m³/h)	3.63 kg/s @ 9.2 kPa 6,480 CFM (11,000 m³/h)	4.45 kg/s @ 10.7 kPa 7,940 CFM (13,480 m³/h)
Discharge Air Temp	24 to 40°F (-7.2 to 4.4 °C)				
Sound Level	85 dBA @ 15 ft.				
Evaporator Coils	4-row				
Tube / Fin Material	Cu / Al (enhanced)				
Defrost Interval	20-90 Min.				
Compressors	2 x 15 Tons, Scroll	3 x 15 Tons, Scroll	4 x 15 Tons, Scroll	2 x 15, 2 x 30, Scroll	4 x 30 Tons, Scroll
Refrigerant	410A				
Condenser Coils	4-row				
Tube / Fin Material	Cu / Al (enhanced)				
Condenser Fans	2 x 5 BHP	2 x 5 BHP	2 x 7.5 BHP	2 x 10 BHP	2 x 15 BHP
Diameter	36 in (905 mm)	36 in (905 mm)	36 in (905 mm)	36 in (905 mm)	36 in (905 mm)
Meets Airbus Compliance Document for Suppliers X21RP1146224_v7, Boeing Aircraft Maintenance Manuals (AMM) and Facility Planning Guides IATA AHM 974 and IATA AHM 997, AHRI-410. Listed by ETL to UL-1995:2015. Specifications subject to change without notice.					

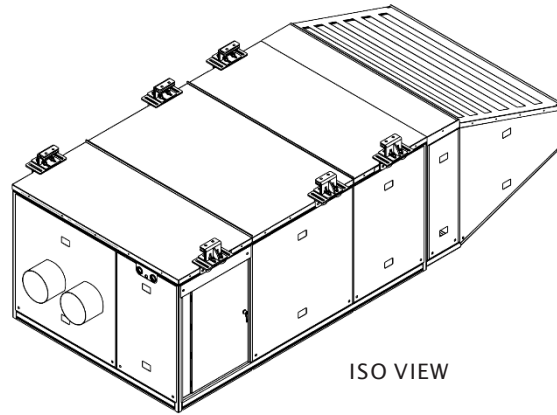
Optional Features

- ▶ Single or Dual Hose Outlets + Bridge Cool
- ▶ Apron Management System Interface (Ethernet or Modbus)
- ▶ Boarding Bridge Cooling / Heating and Controls
- ▶ Delivery Hose (style / length) and Connectors
- ▶ Hose Storage and Retrieval Systems
- ▶ Coil Phenolic Coating
- ▶ Condenser Fan Motor VFDs
- ▶ Standard and High-Capacity Heating Coils
- ▶ Aircraft Cabin or Bridge Temperature Probes

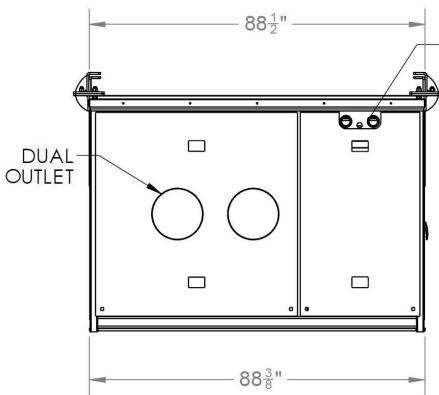


Point-of-Use (PoU) PCAir
Air Cooled, Direct Expansion

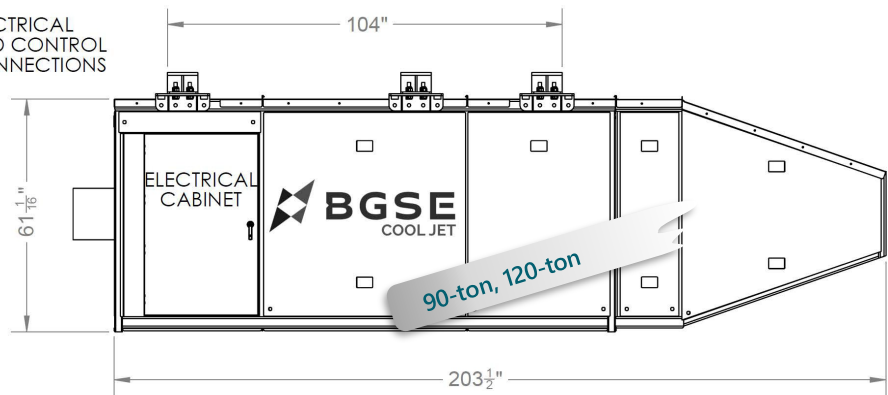
Weights	
30-ton	3,735 lbs. (1,694 kg)
45-ton	4,925 lbs. (2,234 kg)
60-ton	5,285 lbs. (2,561 kg)
90-ton	8,680 lbs. (3,937 kg)
120-ton	11,074 lbs. (5,023 kg)



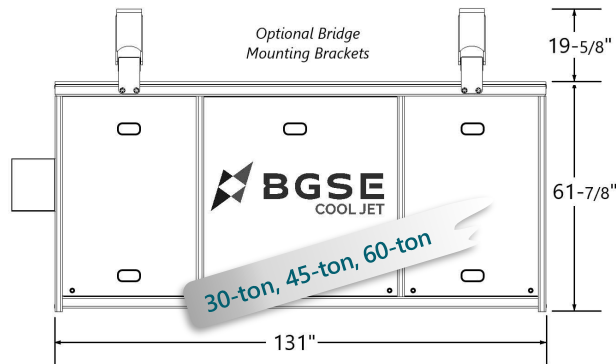
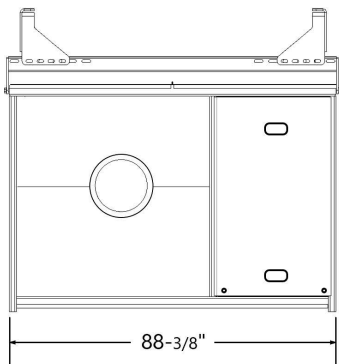
ISO VIEW



FRONT VIEW
DISCHARGE END



LEFT SIDE VIEW



BGSE is an international supplier of the highest quality aerospace support products. We're committed to 100% on time supply, zero defects, and complete customer satisfaction.

Our core focus is turn-key, integrated solutions. BGSE has the experience to execute design-build projects with architects, engineering firms, general contractors, electrical contractors, mechanical contractors and all installation and maintenance companies.